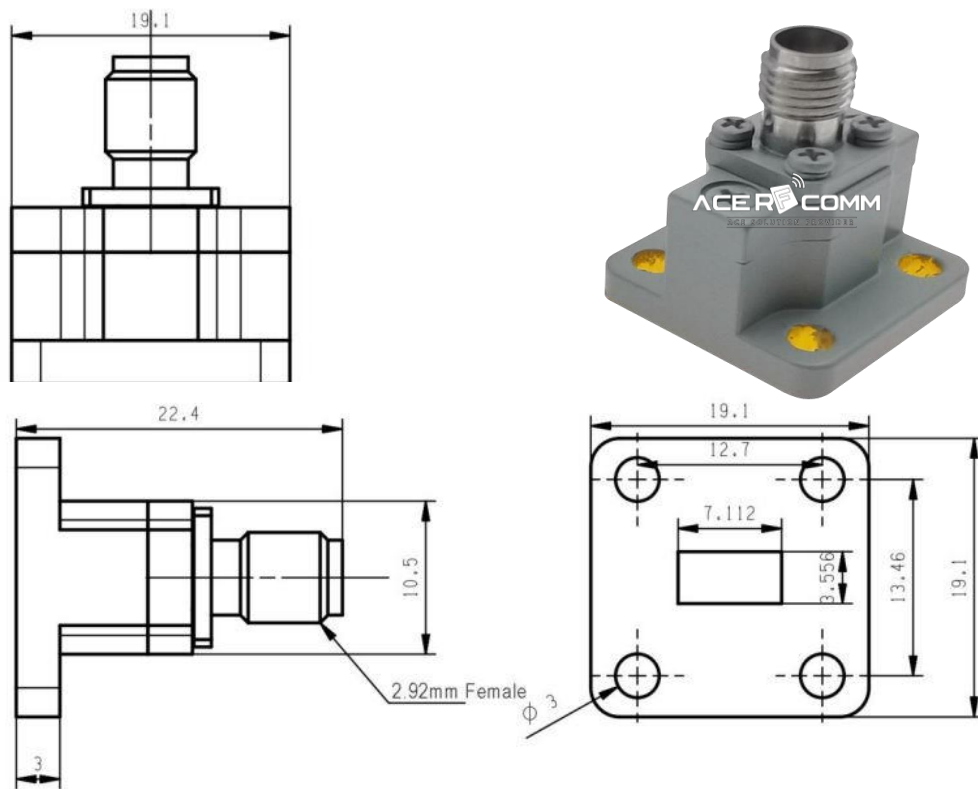


# Waveguide to Coaxial Adaptor, WR28 to 2.92mm Female, Square Cover Flange, End launch

P.N. : X-WR28.2940.E

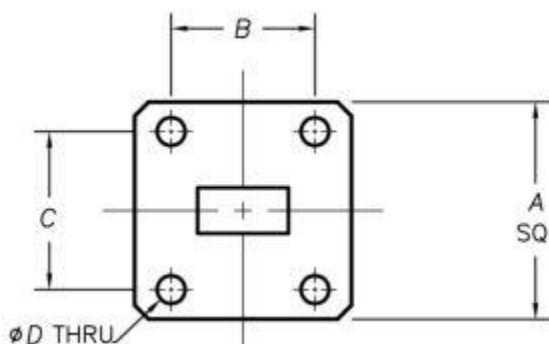
## Dimension



## Photo



## Flange Comparison



WG size	Conforming Standard	A	B	C	D
WR28	ACE RF Comm : X-WR28.2940.1	19.10	12.70	13.46	3.0
	IEC60154 : UBR320	19.10	12.70	13.46	3.0
	USA : MIL3922/54-001(U595/U)	19.05	12.70	13.46	2.95

\* Please check the flange compatibility before ordering. Customized flanges are available

## Waveguide to Coaxial Adaptor, WR28 to 2.92mm Female, Square Cover Flange, End launch

P.N. : X-WR28.2940.E

### Electrical specification

Frequency Range	26.5 ~ 40GHz
Impedance	50 Ohm
V.S.W.R.	1.25 : 1 Max.

### Configuration

Wave guide Size	IEC	320
	EIA	WR28
Flange Type	IEC	UBR320
	North America	M3922/54-003(UG599/U)
Coax Connector	2.92mm Female	
Body Geometry	End-launch	

### Material specification

Wave guide Body	Copper, Black or Grey painted
Connector Body	Passivated stainless steel
Center Contact	Gold plated beryllium copper

### Environmental specification

Connector Interface	MIL-STD-348
Operating Temperature	-40°C ~ 70 °C
RoHS	Compliant