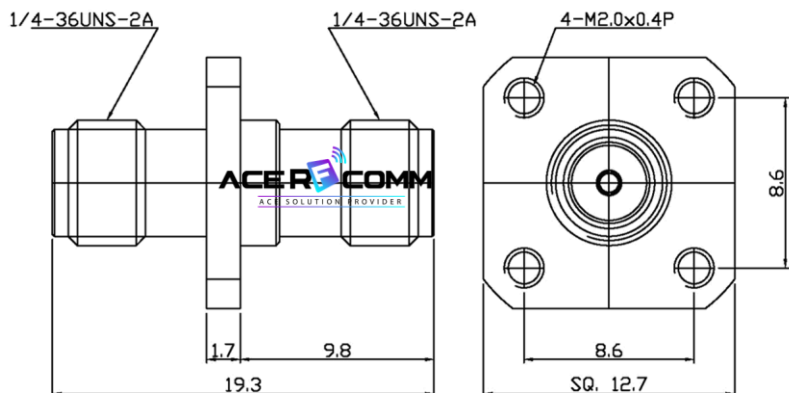


Adaptor, SMA Female to SMA Female 4Hole, 18GHz

P.N. : X-SMSM.18FF.3

Dimension



Photo



Electrical specification

Frequency Range	DC ~ 18GHz
Impedance	50 Ohm
V.S.W.R.	1.25 : 1 Max.

Material specification

Connector Body	Nickel or Tri-Alloy Plating Brass
Connector Center Contact	Gold Plating Becu
Insulator	PTFE
Connector Mating	500 cycles

Environmental specification

Corrosion resistance	MIL-STD-202, Method 101, Condition B
Moisture resistance	MIL-STD-202, Method 106
Thermal shock	MIL-STD-202, Method 107, Condition B
Vibration	MIL-STD-202, Method 204, Condition D
Operating Temperature	-65°C ~ 125 °C
RoHS	Compliant