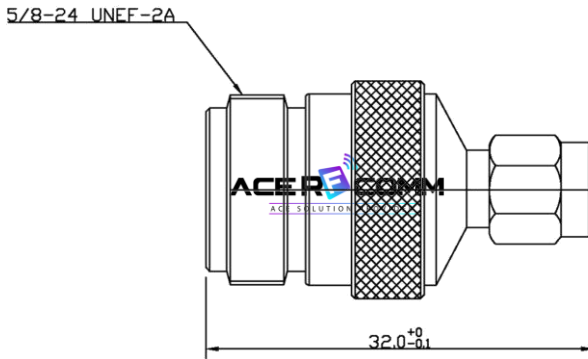


## Adaptor, SMA Male to N Female

P.N. : X-SMNN.12MF.1

### Dimension



### Photo



### Electrical specification

Frequency Range	DC ~ 12GHz
Impedance	50 Ohm
V.S.W.R.	1.35 : 1 Max.
Insertion Loss	0.2 dB Max.

### Material specification

Connector Body	Nickel Plating Brass
Connector Center Contact	Gold Plating Brass / Becu
Insulator	PTFE
Connector Mating	500 cycles

### Environmental specification

Corrosion resistance	MIL-STD-202, Method 101, Condition B
Moisture resistance	MIL-STD-202, Method 106
Thermal shock	MIL-STD-202, Method 107, Condition B
Vibration	MIL-STD-202, Method 204, Condition D
Operating Temperature	-65°C ~ 125 °C
RoHS	Compliant