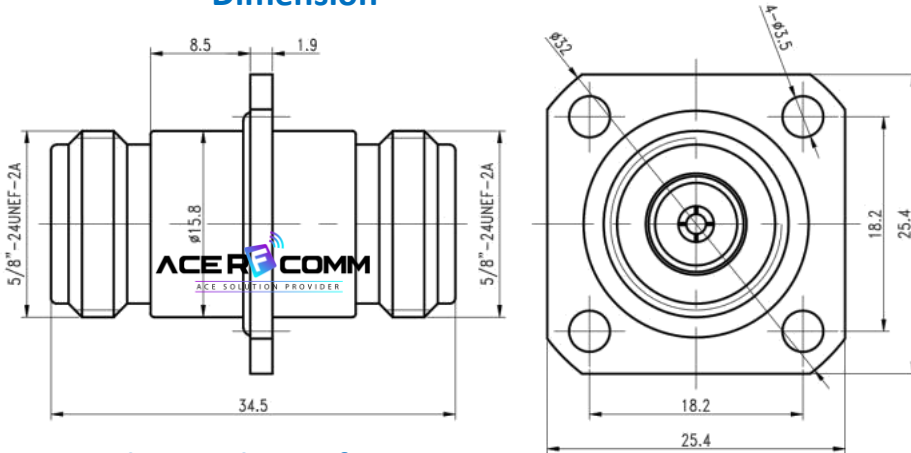


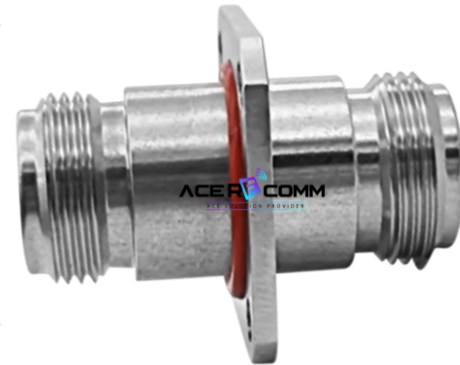
# Adaptor, N Female to N Female, 4Hole DC~18GHz

P.N. : X-NNNN.18FF.H

## Dimension



## Photo



## Electrical specification

Frequency Range	DC ~ 18GHz
Impedance	50 Ohm
V.S.W.R.	1.25 : 1 Max

## Material specification

Connector Body	Stainless Steel Passivated
Connector Center Contact	Gold Plating Becu
Insulator	PEI
Connector Mating	500 cycles

## Environmental specification

Corrosion resistance	MIL-STD-202, Method 101, Condition B
Moisture resistance	MIL-STD-202, Method 106
Thermal shock	MIL-STD-202, Method 107, Condition B
Vibration	MIL-STD-202, Method 204, Condition D
Operating Temperature	-55°C ~ 155 °C
RoHS	Compliant

# Adaptor, N Female to N Female, 4Hole DC~18GHz

P.N. : X-NNNN.18FF.H

## Test Data

