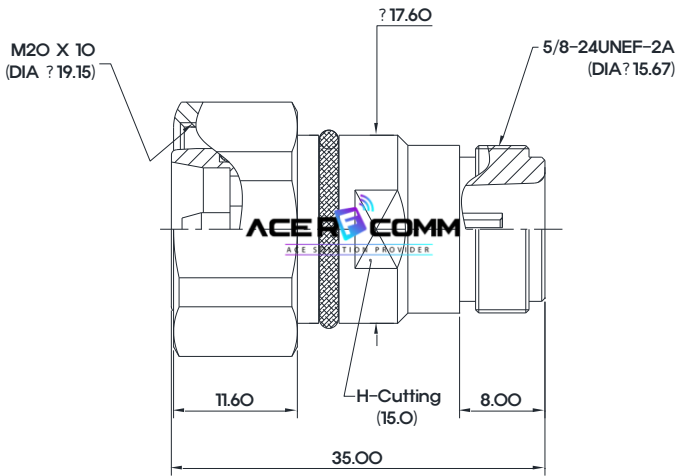


## Adaptor, 4.3/10 DIN Male to N Female

P.N. : X-NN43.03FM.1

### Dimension



### Photo



### Electrical specification

Frequency Range	DC ~ 3GHz
Impedance	50 Ohm
V.S.W.R.	1.20 : 1 Max.

### Material specification

Connector Body	Tri-Alloy, Brass
Connector Center Contact	Gold Plating, Brass / Becu
Insulator	Teflon
Connector Mating	500 cycles

### Environmental specification

Operating Temperature	-45°C ~ 85 °C
RoHS	Compliant