

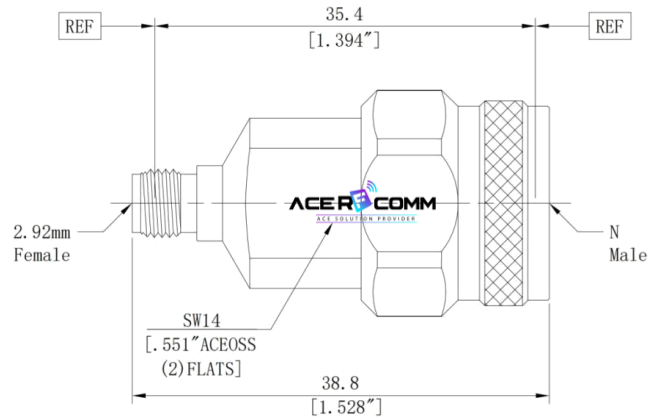
Adaptor, 2.92mm Female to N Male, DC~18GHz

P.N. : X-29NN.18FM.1

Dimension



Photo



Electrical specification

Frequency Range	DC ~ 18GHz
Impedance	50 Ohm
V.S.W.R.	1.20 : 1 Max.

Material specification

Connector Body	Stainless Steel Passivated
Connector Center Contact	Gold Plating Brass / BeCu
Insulator	PEI
Connector Mating	500 cycles

Environmental specification

Corrosion resistance	MIL-STD-202, Method 101, Condition B
Moisture resistance	MIL-STD-202, Method 106
Thermal shock	MIL-STD-202, Method 107, Condition B
Vibration	MIL-STD-202, Method 204, Condition D
Operating Temperature	-55°C ~ 155 °C
RoHS	Compliant

Adaptor, 2.92mm Female to N Male, DC~18GHz

P.N. : X-29NN.18FM.1

Test Data

