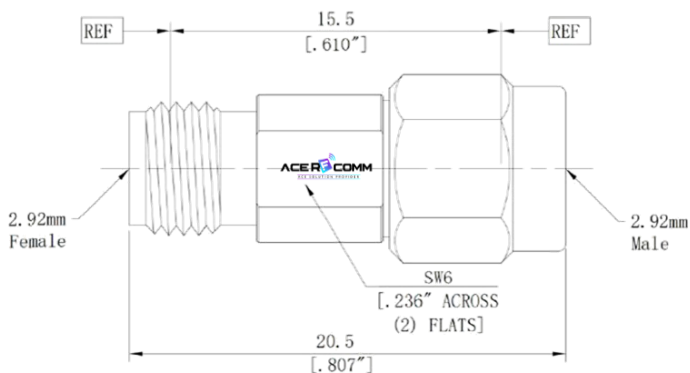


Adaptor, 2.92mm Male to 2.92mm Female

P.N. : X-2929.40MF.1

Dimension



Photo



Electrical specification

| | |
|-----------------|---------------|
| Frequency Range | DC ~ 40GHz |
| Impedance | 50 Ohm |
| V.S.W.R. | 1.25 : 1 Max. |
| Insertion Loss | 0.30dB Max. |

Material specification

| | |
|--------------------------|----------------------------|
| Connector Body | Passivated Stainless Steel |
| Connector Center Contact | Gold Plating BeCu |
| Insulator | Special Dielectric |
| Connector Mating | 500 cycles |

Environmental specification

| | |
|-----------------------|---------------|
| RoHS | Compliant |
| Operating Temperature | -55°C ~ 165°C |
| Interface | MIL-STD-348 |

Adaptor, 2.92mm Male to 2.92mm Female

P.N. : X-2929.40MF.1

Test Data

