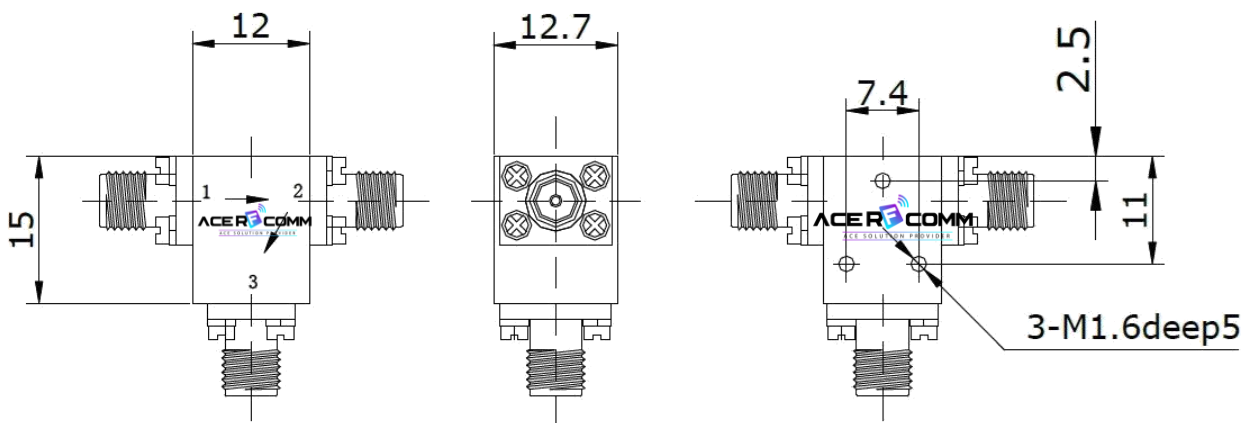


Circulator, 2.92mm 5Watt 22~33GHz

P.N. : U-G022.033S.1

Dimension



Electrical & Environmental specification

Frequency Range	22 ~ 33 GHz
Impedance	50 Ohm
Insertion Loss	< 1.3 dB
Isolation	> 14 dB
Forward Power	5 Watts CW
V.S.W.R.	1.60 : 1 Max
Direction	Clockwise
Working Temperature	-40°C ~ +85°C

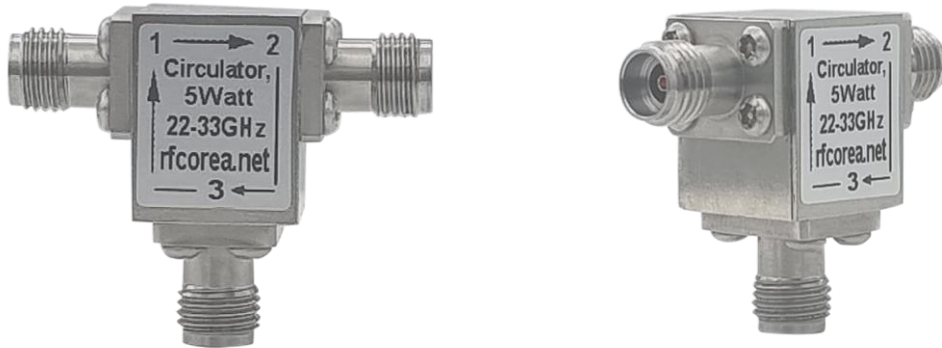
Material specification

Connector Body	Passivated Stainless Steel
Connector Center Contact	Gold Plating BeCu
Connector Mating	500 cycles
Housing	Aluminum
Dimension	12 * 15 * 12.7 mm
RoHS	Complaint

Circulator, 2.92mm 5Watt 22~33GHz

P.N. : U-G022.033S.1

Photo



Test Data

