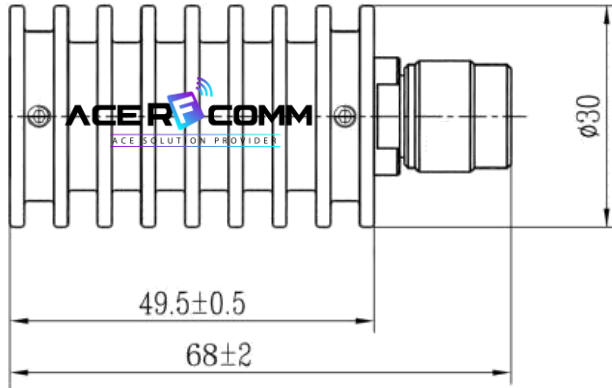


## Termination, DC~12.4GHz, TNC Male 10Watt

P.N. : T-0012.TM10.1

### Dimension



### Photo



### Electrical & Environmental specification

Frequency Range	DC ~ 12.4GHz
Impedance	50 Ohm
Input Ave Power	10Watt @ 25°C derated linearly to 0 watts @ 125°C
Peak Power	1kW ( 5 µsec pulse width, 0.5% duty cycle)
V.S.W.R.	1.30 : 1 Max
Operating Temperature	-55°C ~ 125 °C

### Material specification

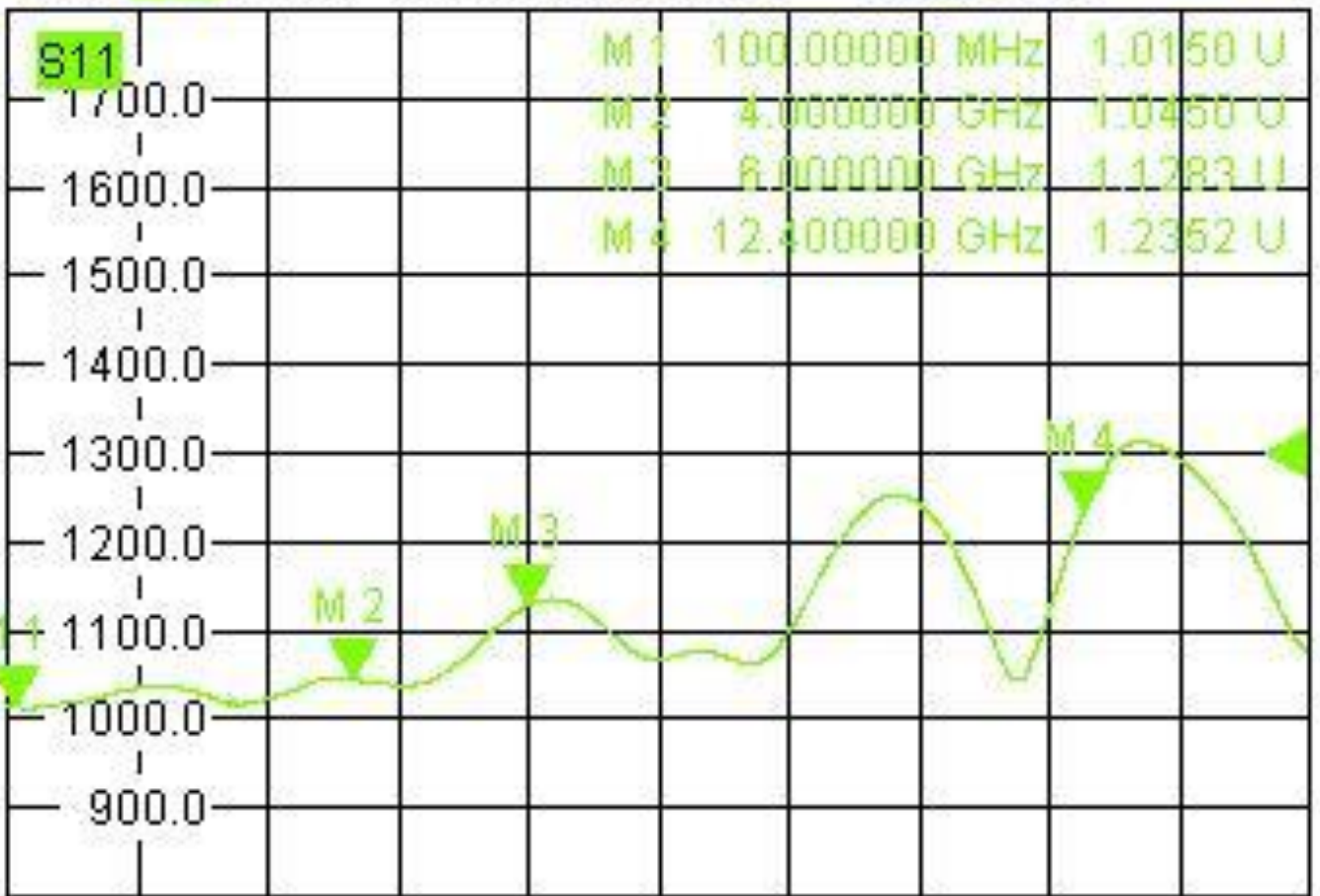
Connector Body	Tri-Alloy plating Brass
Connector Center Contact (Male)	Gold Plating Brass
Connector Mating	500 cycles
Housing	Aluminum
Weight	70gram
Dimension	Ø30 * 68mm
RoHS	Complaint

# Termination, DC~12.4GHz, TNC Male 10Watt

P.N. : T-0012.TM10.1

## Test Data

Trc1 S11 SWR 100 mU/ Ref 1.3 U Cal int Smo 1



Ch1 Start 10 MHz Pwr 0 dBm Stop 15 GHz