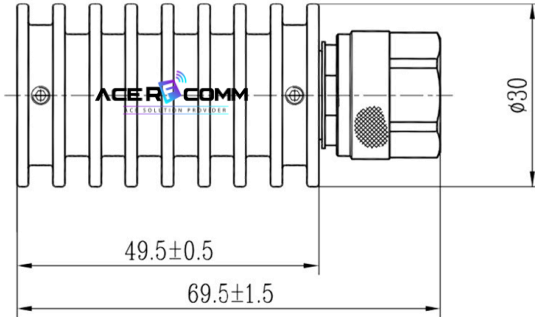


Termination, DC~8GHz, N Male 10Watt

P.N. : T-0008.NM10.1

Dimension



Photo/3D Image



Electrical & Environmental specification

Frequency Range	DC ~ 8GHz
Impedance	50 Ohm
Input Ave Power	10Watt @ 25°C
Peak Power	0.5kW (5 μ sec pulse width, 1% duty cycle)
V.S.W.R.	1.30 : 1 Max
Operating Temperature	-55°C ~ 125 °C

Material specification

Connector Body	Tri-Alloy plating Brass
Connector Center Contact (Male)	Gold Plating Brass
Connector Mating	500 cycles
Housing	Aluminum
Weight	85gram
Dimension	$\phi 30 * 70$ mm
RoHS	Complaint

Termination, DC~8GHz, N Male 10Watt

P.N. : T-0008.NM10.1

Test Data



Trc1 — S33 SWR 100 mU/ Ref 1.2 U Cal int Smo

1 ▾

