

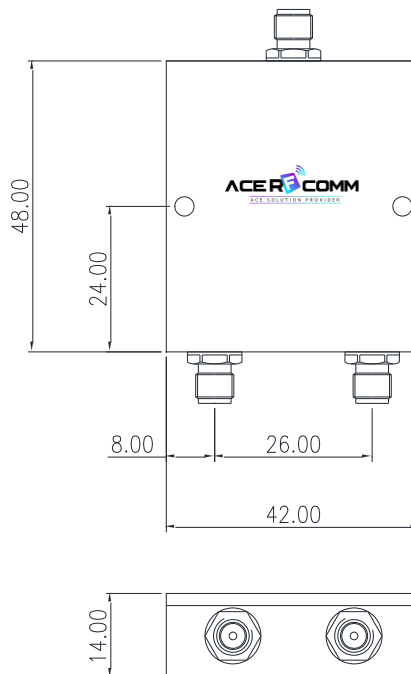
Power Divider, 0.7~2.7GHz, SMA 2Way 1Watt

P.N. : P-M703.S201.1

Photo/3D Image



Dimension



(Connector port locations can be changed, upon requesting spec.)

Electrical & Environmental specification

Frequency Range	0.7 ~ 2.7GHz
Impedance	50 Ohm
Insertion Loss	3.7dB Max
VSWR	1.25 : 1 Max
Isolation	20dB Min
Power	1Watt @ 25°C
Connectors	SMA Female connector
Surface Finish	Chromate painting
Temperature	-30°C ~ 60 °C

Material specification

Connector Body	Gold/Nickel Plating Brass
Connector Center Contacts (Female)	Gold Plating BeCu
Housing	Aluminum
Other Screw	Stainless Steel