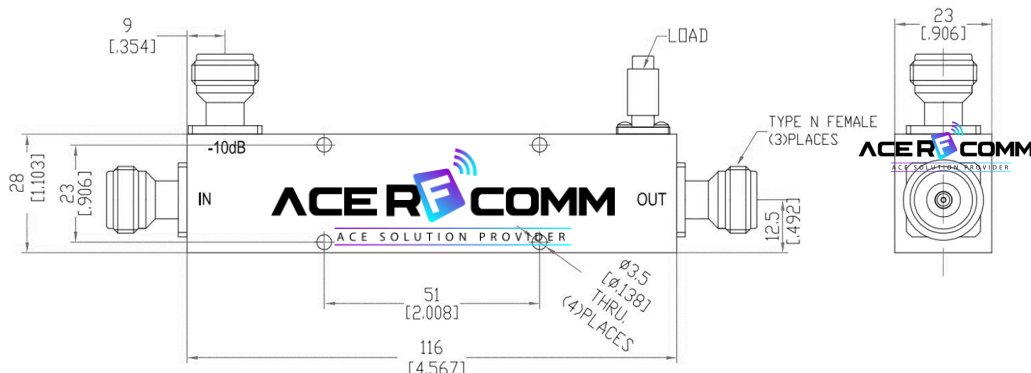


Directional Coupler, N, 50Watt, 10dB, Single, 0.5~18GHz

P.N. : H-M500.0018.10

Dimension



Photo



Electrical & Environmental specification

Frequency Range	0.5~18GHz
Impedance	50 Ohm
Input Ave Power	50Watt @ 25°C
Coupling Value	< 10dB ±1.0 dB
Coupling Sensitivity	< ±1.0 dB
Directivity	> 12dB
V.S.W.R.	< 1.65 : 1
Insertion Loss	< 1.3dB (Excluding coupling loss 0.46dB)
Operating Temperature	-55°C ~ 85 °C

Material specification

Coupler Surface Treatment	Black Paint
Connector	N Female
Housing	Aluminum
RoHS	Complaint
Body dimension	116 * 28 * 23mm(Excluding connectors)