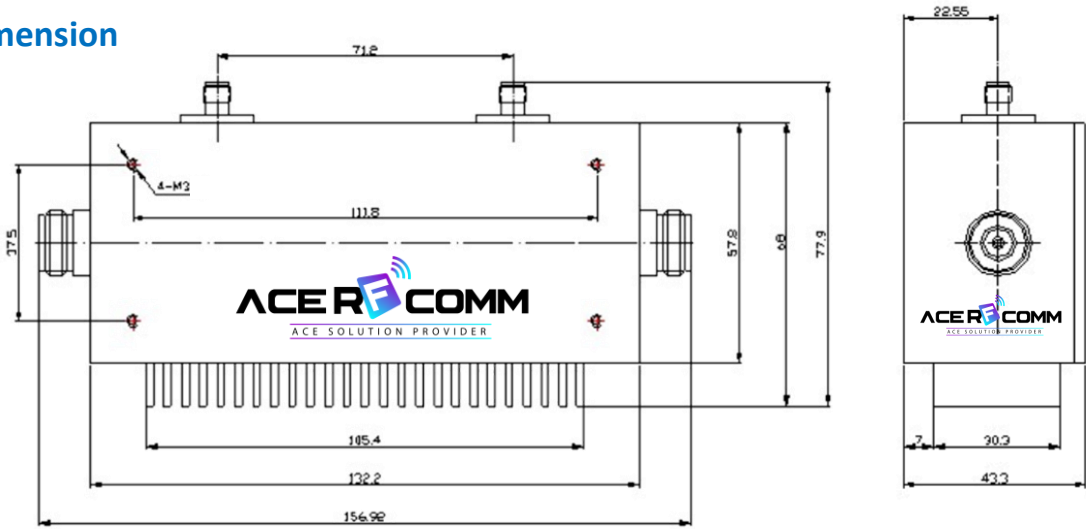


Directional Coupler, N, 300Watt, 40dB, 9KHz~1GHz, Dual

P.N. : H-M001.1000.D3

Dimension



Electrical & Environmental specification

Frequency Range	9KHz ~ 1GHz
Impedance	50 Ohm
Input Ave Power	300Watt @ 25°C
Coupling Value	40dB ±1.6
Directivity	13dB Min (9KHz ~ 100KHz)
	18dB Min (100KHz ~ 1GHz)
V.S.W.R.	1.30 : 1 Max
Insertion Loss	0.7dB Max
Operating Temperature	-40°C ~ 60 °C

Material specification

Connector Body	Nickel Plating Brass
Connector Center Contact (Male)	Gold Plating Brass
Connector Center Contact (Female)	Gold Plating BeCu
Connector Mating	500 cycles
Housing	Aluminum
Dimension	157 * 78 * 43mm (Excluding connector)
Weight	650 gram
RoHS	Complaint

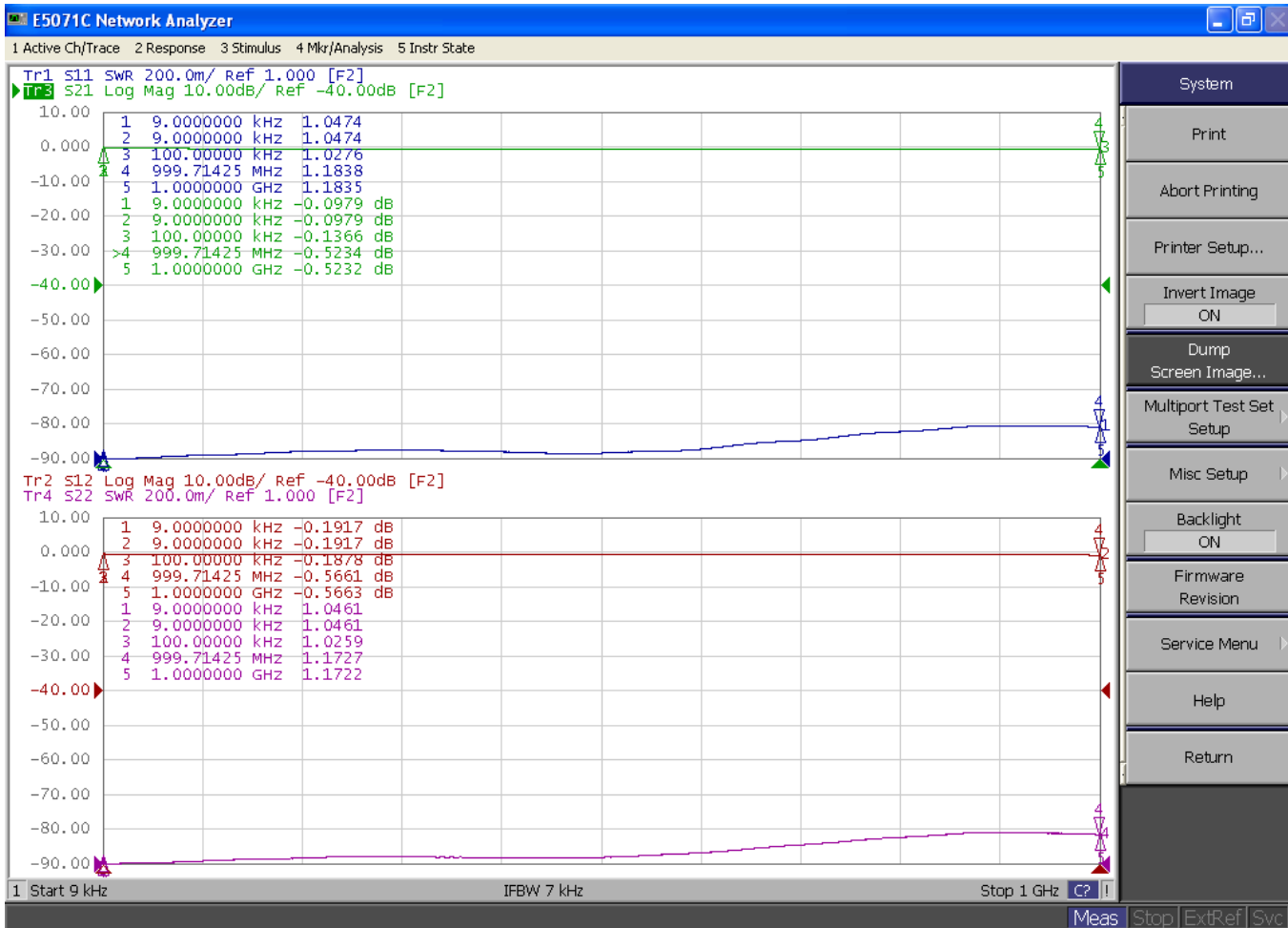
Directional Coupler, N, 300Watt, 40dB, 9KHz~1GHz, Dual

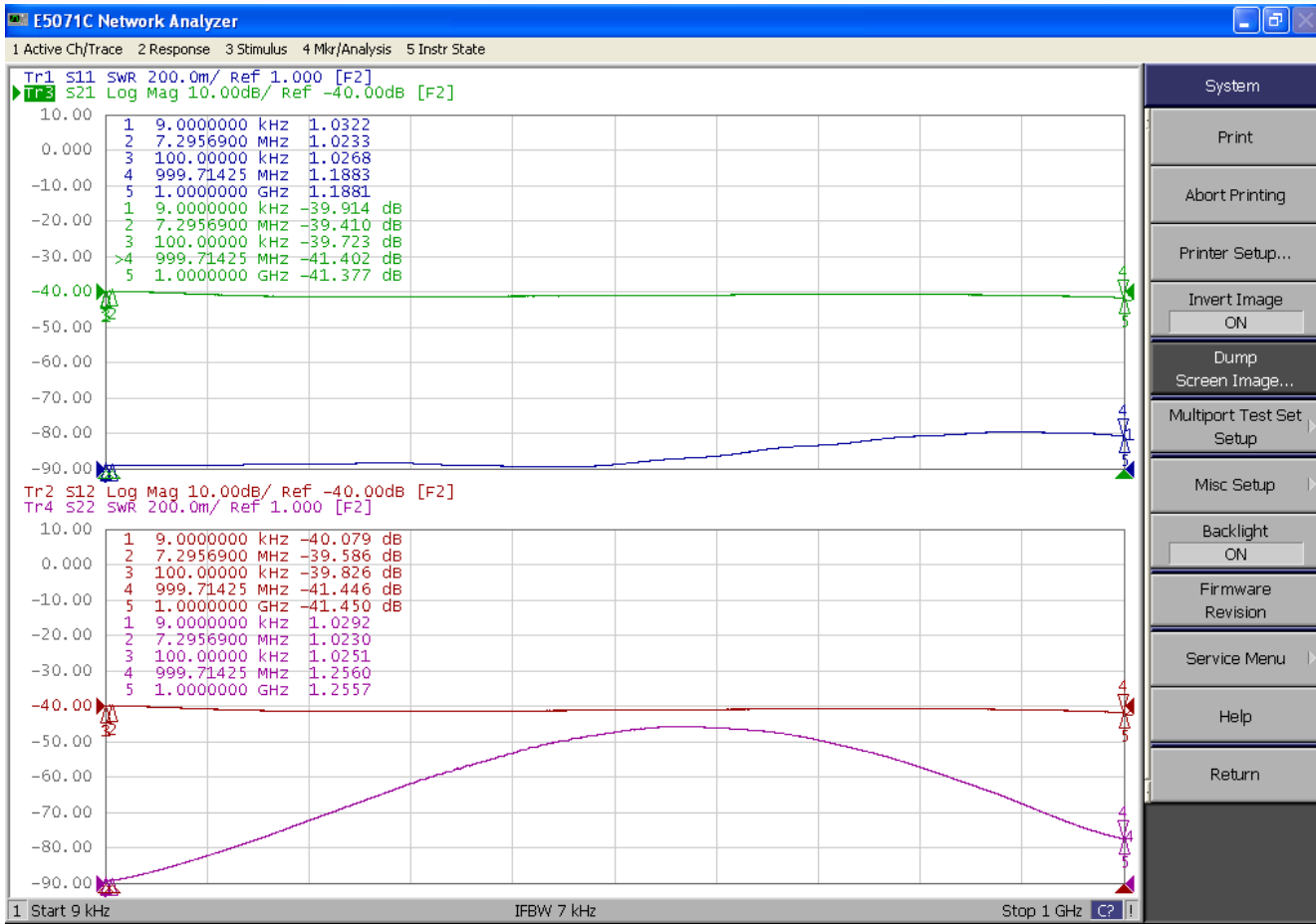
P.N. : H-M001.1000.D3

Photo



Test Data





System

Print

Abort Printing

Printer Setup...

Invert Image
ON

Dump
Screen Image...

Multiport Test Set
Setup

Misc Setup

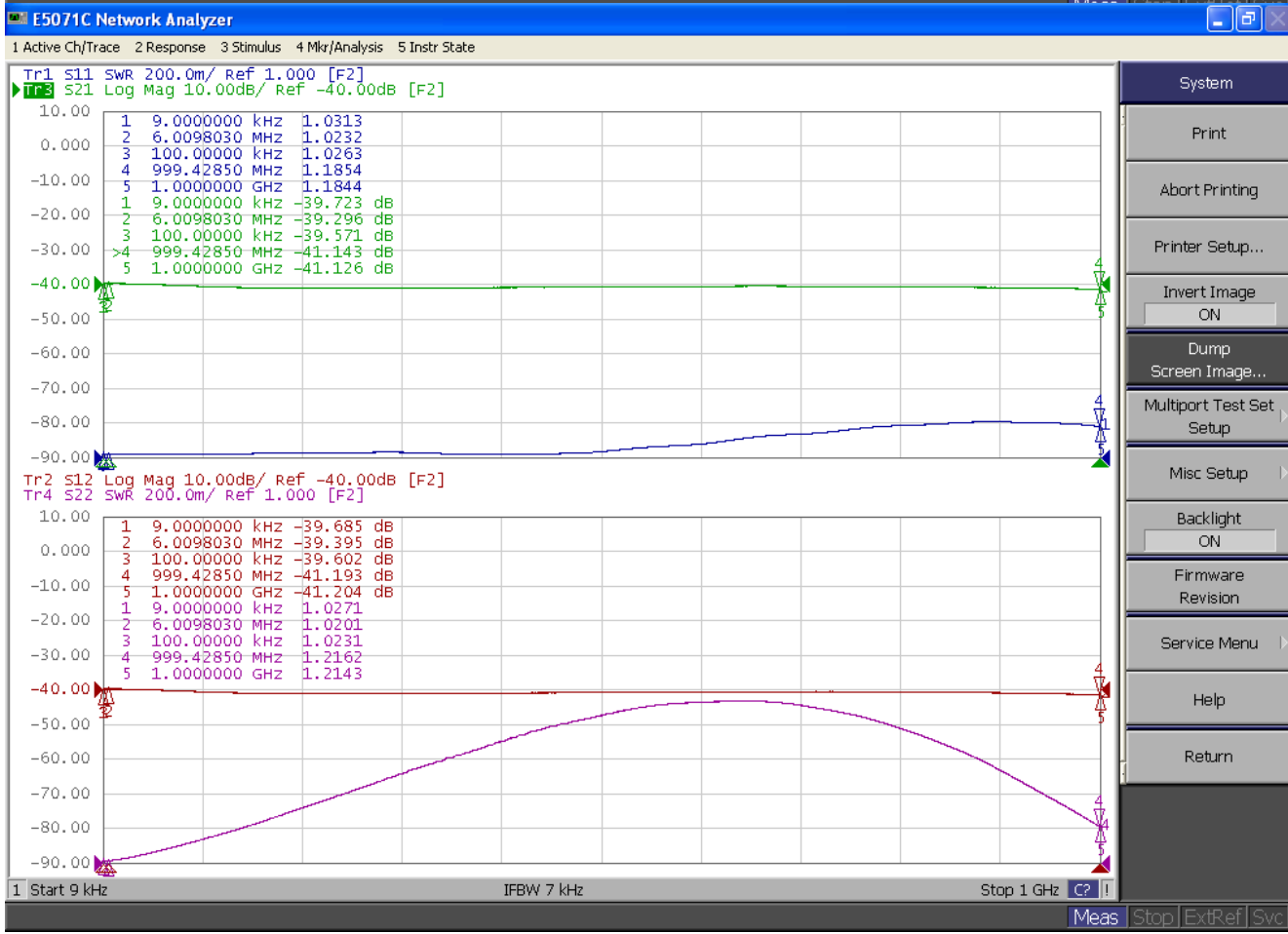
Backlight
ON

Firmware
Revision

Service Menu

Help

Return



System

Print

Abort Printing

Printer Setup...

Invert Image
ON

Dump
Screen Image...

Multiport Test Set
Setup

Misc Setup

Backlight
ON

Firmware
Revision

Service Menu

Help

Return