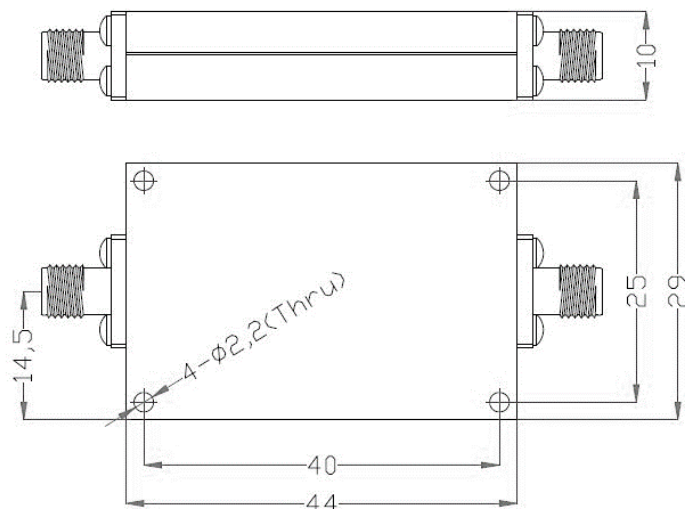


High Pass Filter, 3.0~18.0GHz

P.N. : F-G003.G018.H1

Dimension



Photo



Electrical specification

	Specification
Pass Band Freq.	3.0~18.0GHz
Cut Off Freq.	3.0 GHz
Pass Band I.L.	≤1.6dB @ 3.0~3.2GHz ≤1.0dB @ 3.2~18GHz
V.S.W.R.	< 1.50 : 1
Rejection	≥60dB @ DC~2.6GHz
Impedance	50 Ohm
Power	15Watt
Operating Temp.	-55°C~+85°C
Surface Finish	Black
Port Connectors	SMA-Female
Configuration	As Below(tolerance±0.3mm)

High Pass Filter, 3.0~18.0GHz

P.N. : F-G003.G018.H1

Test Data

