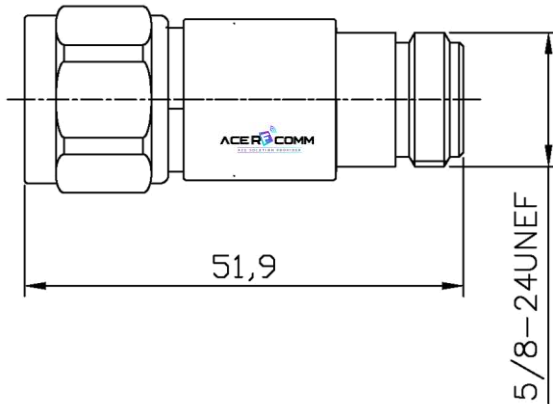


DC Block, DC~6GHz, N 50V

P.N. : D-N050.06G0.1

Dimension



Photo



Electrical & Environmental specification

Frequency Range	DC ~ 6GHz
Impedance	50 Ohm
Input Ave Power	2Watt @ 25°C
Insertion loss	0.45dB Max.
Voltage	50V
V.S.W.R.	1.30 : 1 Max
Operating Temperature	-55°C ~ 85 °C

Material specification

Connector Body	Nickel Plating Brass
Connector Center Contact (Male)	Gold Plating Brass
Connector Center Contact (Female)	Gold Plating BeCu
Connector Mating	500 cycles
Weight	50 gram
Dimension	Ø22 * 52mm
RoHS	Complaint