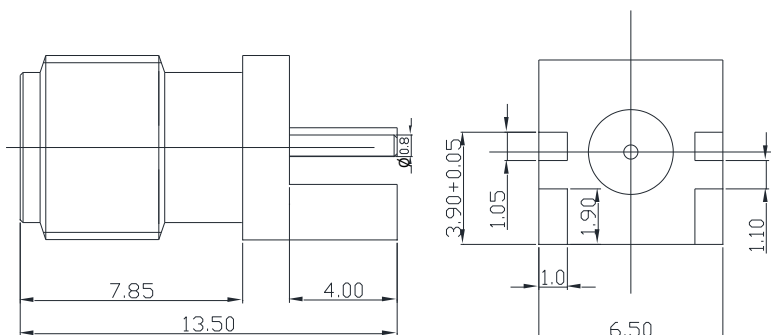


Connector, SMA Female End launch 1.0T

P.N. : C-RSMF.EL10.1

Dimension



Photo



Electrical specification

| | |
|---------------------------------|-----------------------------|
| Frequency Range | DC ~ 18GHz |
| Impedance | 50 Ohm |
| Insertion Loss | 0.05 \sqrt{f} (GHz) |
| V.S.W.R. | <1.12 + 0.01f(GHz) |
| Contact Current | DC 2.0A max |
| Insulation Resistance | 5,000 M Ω min |
| Working Voltage | 335 VRMS max |
| Dielectric Withstanding Voltage | 750V min |
| RF leakage | -60dBm min., between 2~3GHz |

Material specification

| | |
|--------------------------|--------------------|
| Connector Body | Gold Plating Brass |
| Connector Center Contact | Gold Plating BeCu |
| Insulator | PTFE |
| Connector Mating | 500 cycles |

Environmental specification

| | |
|-----------------------|--------------------------------------|
| Corrosion resistance | MIL-STD-202, Method 101, Condition B |
| Moisture resistance | MIL-STD-202, Method 106 |
| Thermal shock | MIL-STD-202, Method 107, Condition B |
| Vibration | MIL-STD-202, Method 204, Condition D |
| Operating Temperature | -65°C ~ 125 °C |
| RoHS | Compliant |