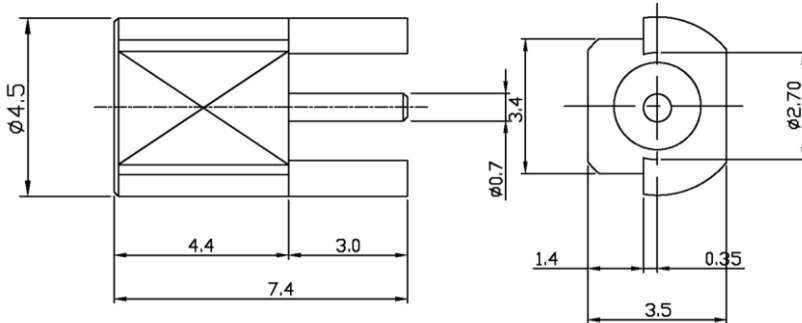


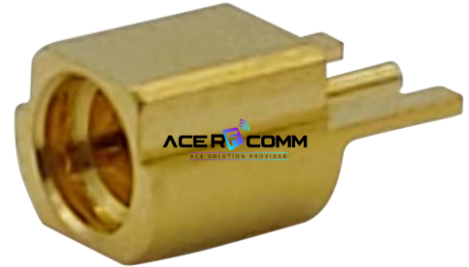
## Connector, MMCX Female 2R End Launch

P.N. : C-RMMF.EL00.1

### Dimension



### Photo



### Electrical specification

Frequency Range	DC ~ 6GHz
Impedance	50 Ohm
V.S.W.R.	<1.20 at 2GHz
Contact Current	DC 1.0A max
Insulation Resistance	1,000 M $\Omega$ min
Working Voltage	170 VRMS max
Contact resistance	Center contacts : 5.0 m $\Omega$
	Outer contacts : 2.5 m $\Omega$

### Material specification

Connector Body	Gold Plating Brass
Connector Center Contact	Gold Plating BeCu
Insulator	PTFE
Connector Mating	500 cycles

### Environmental specification

Corrosion resistance	MIL-STD-202, Method 101, Condition B
Moisture resistance	MIL-STD-202, Method 106
Thermal shock	MIL-STD-202, Method 107, Condition C
Vibration	MIL-STD-202, Method 204, Condition D
Operating Temperature	-65 $^{\circ}$ C ~ 125 $^{\circ}$ C
RoHS	Compliant