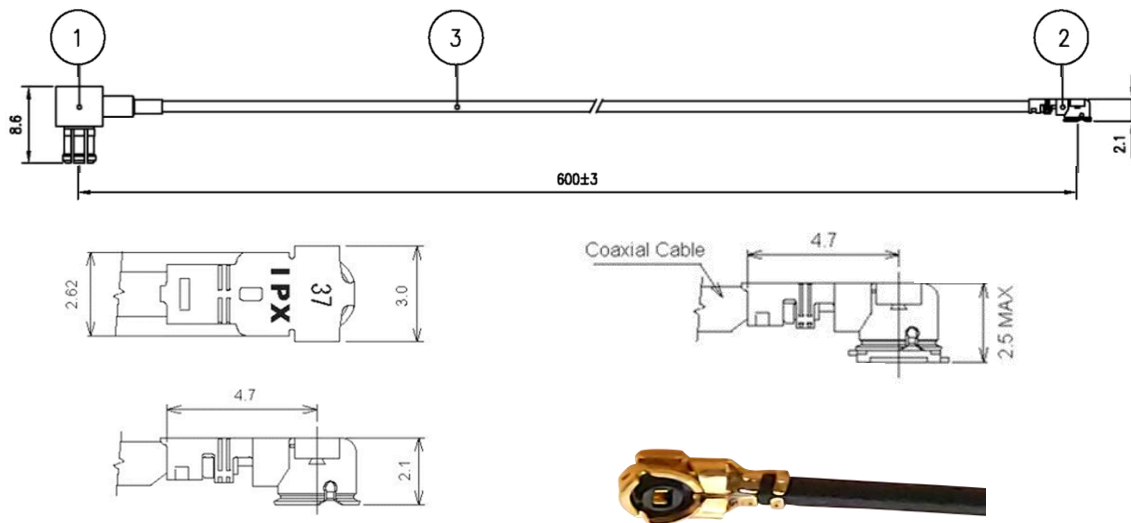


Micro Coax Cable Assembly 1.32D

Cable Assembly, 1.32D MHF1 to MCX M R.A., 600mm

P.N. : B-42M1.MM00.1

Cable Assembly Drawing



Cable Assembly Configuration

Connector ②	MHF1
Connector ①	MCX Male R.A., gold plated
Cable Type ③	1.32D
Cable Assembly method	Crimping type

MHF Configuration

Parts	Material	Plating / Color
Housing	PBT UL94V-0	Natural or Black
Contact	Copper Alloy	Au
Ground Contact	Copper Alloy	Au or Ag

Electrical Specifications

ELECTRICAL DATA	
ITEM	SPECIFICATION
Characteristic Impedance	50 ± 2Ω
Operating frequency	Max. 6GHz
Operating Temp	-40°C ~ +90°C
Rated Voltage	AC 60V
Withstand Voltage	AC 200V
V.S.W.R.	1.35 Max (DC ~ 3GHz)
	1.50 Max (3 ~ 6GHz)

Micro Coax Cable Assembly 1.32D

Cable Assembly, 1.32D MHF1 to MCX M R.A., 600mm

P.N. : B-42M1.MM00.1

Photos

