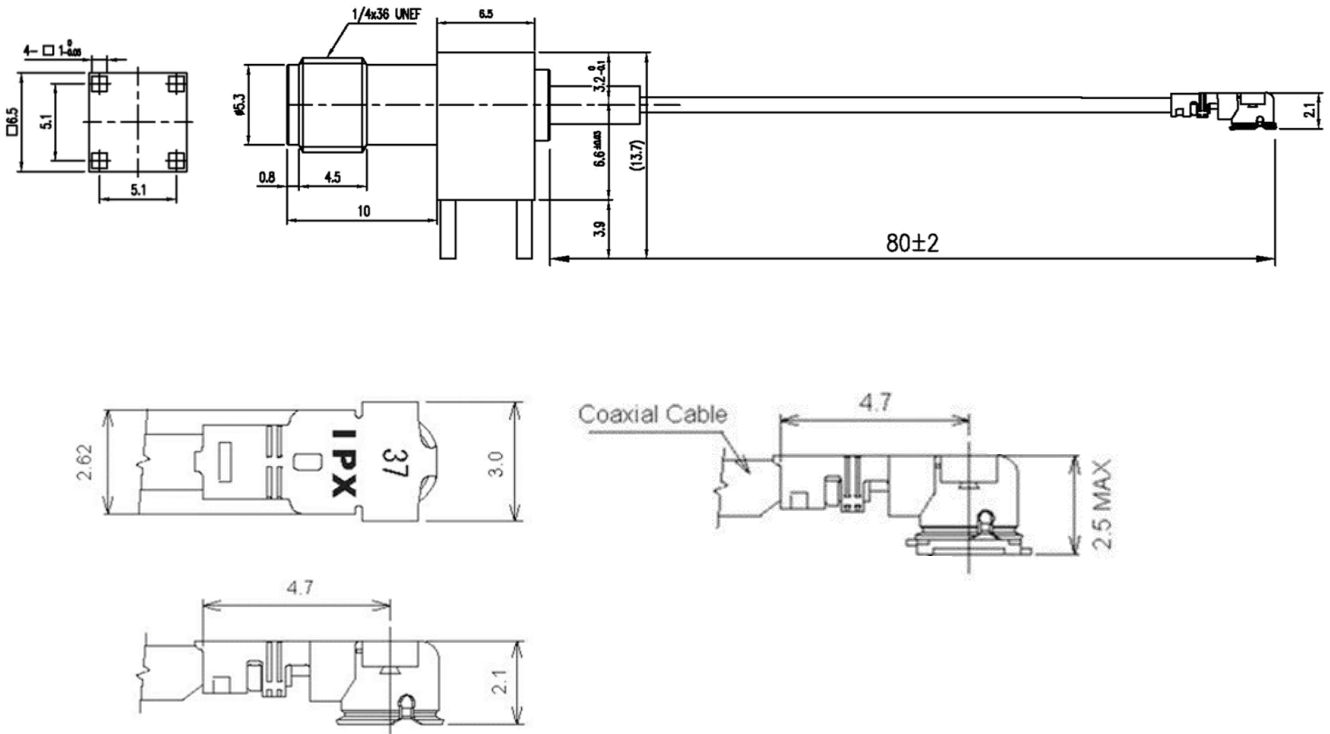


Micro Coax Cable Assembly 1.13D

Cable Assembly, 1.13D SMA Female Right Angle PCB to MHF1, 80mm

P.N. : B-41SM.M100.3

Cable Assembly



Cable Assembly Configuration

Connector (Right)	MHF1
Connector (Left)	SMA Female Right Angle PCB
Cable Type	1.13D
Cable Assembly method	Crimping type

MHF Configuration

Parts	Material	Plating / Color
Housing	PBT UL94V-0	Natural or Black
Contact	Copper Alloy	Au
Ground Contact	Copper Alloy	Au or Ag

Micro Coax Cable Assembly 1.13D

Cable Assembly, 1.13D SMA Female Right Angle PCB to MHF1, 80mm

P.N. : B-41SM.M100.3

Photos



- Connector can be assembled with others (such as MHF4, MCX and SMA)
- Connector material can be changed to brass nickel plated.

Electrical Specifications

ELECTRICAL DATA	
ITEM	SPECIFICATION
Characteristic Impedance	50 ± 2Ω
Operating frequency	Max. 6GHz
Operating Temp	-40°C ~ +90°C
Rated Voltage	AC 60V
Withstand Voltage	AC 200V
V.S.W.R.	1.35 Max (DC ~ 3GHz)
	1.50 Max (3 ~ 6GHz)