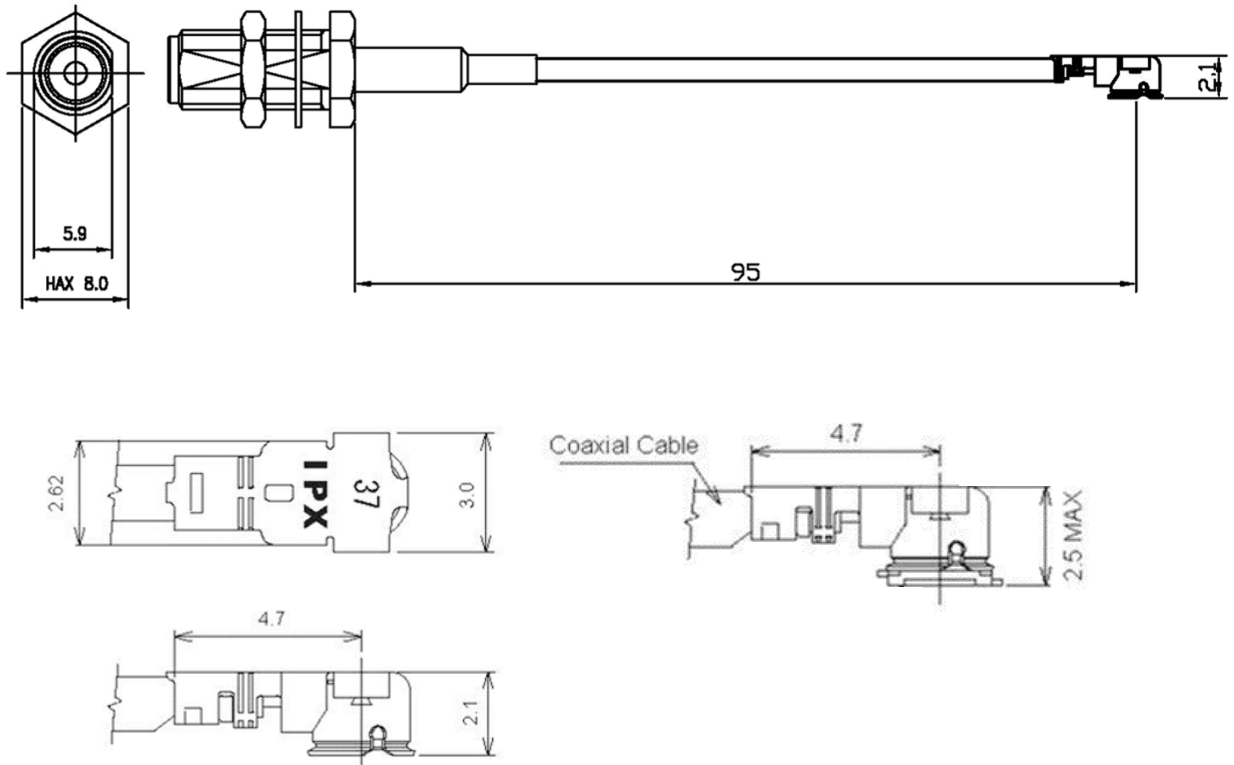


Micro Coax Cable Assembly 1.13D

Cable Assembly, 1.13D SMA Female Bulkhead to MHF1, 95mm

P.N. : B-41SM.M100.1

Cable Assembly



Cable Assembly Configuration

Connector (Right)	MHF1
Connector (Left)	SMA Female Bulk Head, gold plated
Cable Type	1.13D
Cable Assembly method	Crimping type

MHF Configuration

Parts	Material	Plating / Color
Housing	PBT UL94V-0	Natural or Black
Contact	Copper Alloy	Au
Ground Contact	Copper Alloy	Au or Ag

Micro Coax Cable Assembly 1.13D

Cable Assembly, 1.13D SMA Female Bulkhead to MHF1, 95mm

P.N. : B-41SM.M100.1

Photos



- Connector can be assembled with others (such as MHF4, MCX and SMA)
- Connector material can be changed to brass nickel plated.

Electrical Specifications

ELECTRICAL DATA	
ITEM	SPECIFICATION
Characteristic Impedance	50 ± 2Ω
Operating frequency	Max. 6GHz
Operating Temp	-40°C ~ +90°C
Rated Voltage	AC 60V
Withstand Voltage	AC 200V
V.S.W.R.	1.35 Max (DC ~ 3GHz)
	1.50 Max (3 ~ 6GHz)