

# MHF to N Female B.H. Cable Assembly

Cable Assembly, RG178, N Female to MHF 300mm

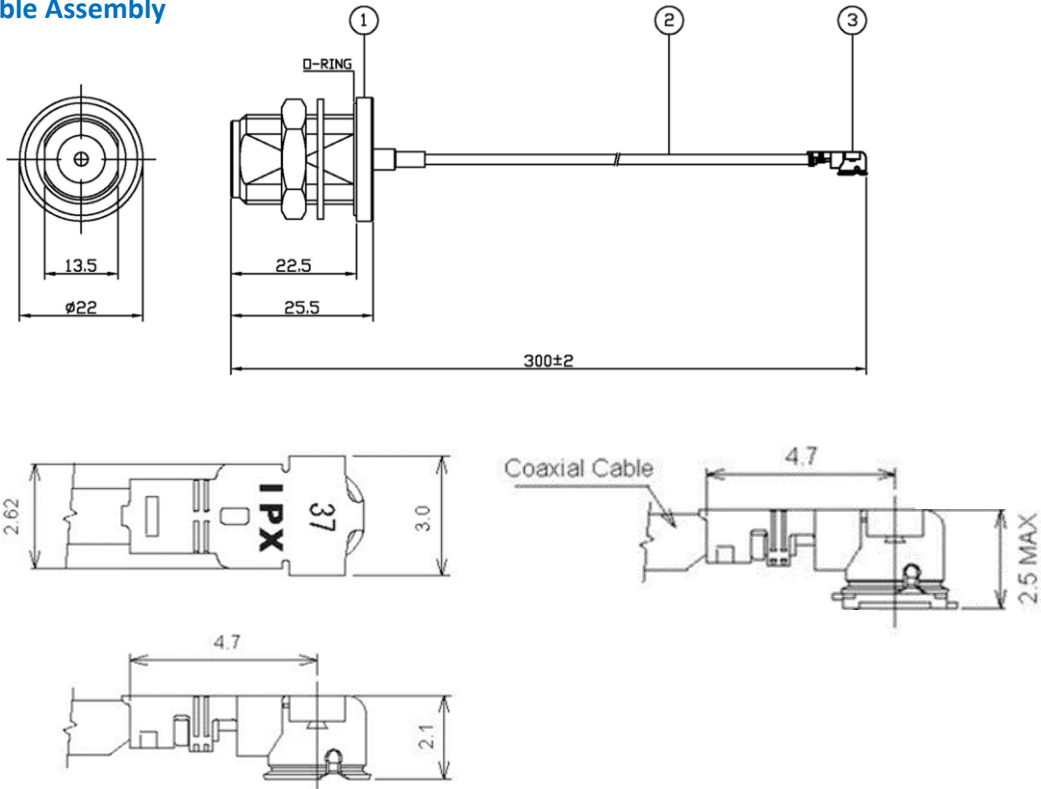
P.N. : B-14MH.NN00.4

## Cable Structure



Structure	Diameter (mm)	Material
1. Center Conductor	0.31 +/- 0.02 mm	Silver Plated Copper clad steel Wire
2. Dielectric	0.84 +/- 0.05 mm	Poly TetraFluorEthylene
3. Outer shield	1.30 +/- 0.15 mm	Silver Plated Copper Tape
4. Jacket	1.80 +/- 0.12 mm	Fluorinated Ethylene Propylene

## Cable Assembly



## Cable Assembly Configuration

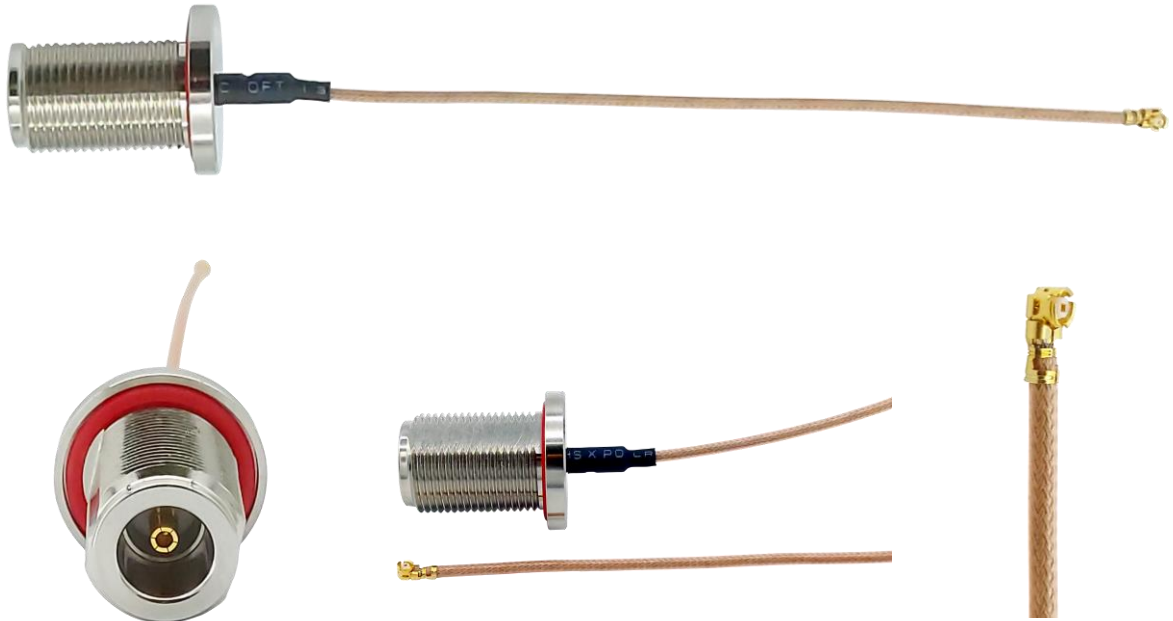
Connector (Right)	MHF1
Connector (Left)	N Female Bulk Head, waterproof
Cable Type	RG178
Cable Assembly method	Crimping type

# MHF to N Female B.H. Cable Assembly

Cable Assembly, RG178, N Female to MHF 300mm

P.N. : B-14MH.NN00.4

## Photos



- Connector can be assembled with others (such as MHF1, SMA, SMB, BNC, and TNC )
- Connector material can be changed to stainless steel passivated or brass nickel plated.

## Electrical Specifications

ELECTRICAL DATA	
ITEM	SPECIFICATION
Characteristic Impedance	50 ± 2Ω
Operating frequency	Max. 6GHz
Operating Temp	-40°C ~ +90°C
Rated Voltage	AC 60V
Withstand Voltage	AC 200V
V.S.W.R.	1.35 Max (DC ~ 3GHz)
	1.50 Max (3 ~ 6GHz)

# MHF to N Female B.H. Cable Assembly

Cable Assembly, RG178, N Female to MHF 300mm

P.N. : B-14MH.NN00.4

## Test data

