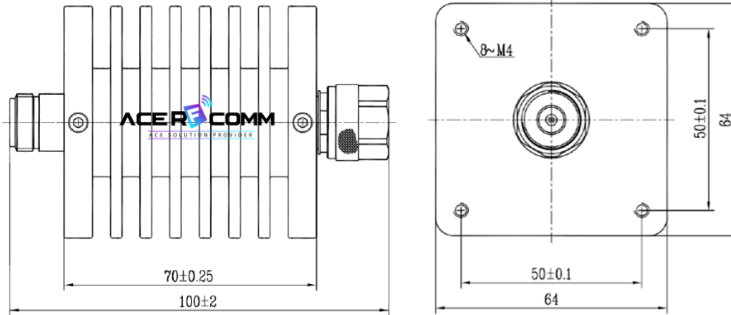


Attenuator, DC~18GHz, N 50Watt 40dB, Uni-directional, **VSWR focused**

P.N. : A-1840.NN50.3

Dimension



Photo



Electrical & Environmental specification

Frequency Range	DC ~ 18GHz
Impedance	50 Ohm
Input Ave Power	50Watt @ 25°C derated linearly to 0 watts @ 125°C
Peak Power	2.0kW (5 μsec pulse width, 1% duty cycle)
Nominal Attenuation	40dB ± 1.5dB
V.S.W.R.	1.20 : 1 Max
Direction	N Male input to N Female output
Operating Temperature	-55°C ~ 125 °C

Material specification

Connector Body	Tri-Alloy Plating Brass
Connector Center Contact (Male)	Gold Plating Brass
Connector Center Contact (Female)	Gold Plating BeCu
Connector Mating	500 cycles
Housing	Black Anodizing, Aluminum
Weight	480 gram
Dimension	64 * 64 * 102mm
RoHS	Complaint

Attenuator, DC~18GHz, N 50Watt 40dB, Uni-directional, **VSWR focused**

P.N. : A-1840.NN50.3

Test Data

