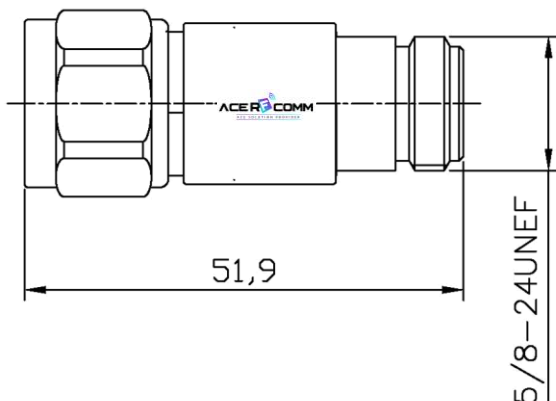


Attenuator, DC~6GHz, N 2Watt 10dB, Bi-directional

P.N. : A-0610.NN02.1

Dimension



Photo



Electrical & Environmental specification

Frequency Range	DC ~ 6GHz
Impedance	50 Ohm
Input Ave Power	2Watt @ 25°C derated linearly to 0 watts @ 125°C
Peak Power	0.1kW
Nominal Attenuation	10dB ± 0.7dB
V.S.W.R.	1.20 : 1 Max
Operating Temperature	-55°C ~ 85 °C

Material specification

Connector Body	Nickel Plating Brass
Connector Center Contact (Male)	Gold Plating Brass
Connector Center Contact (Female)	Gold Plating BeCu
Connector Mating	500 cycles
Weight	54 gram
Dimension	Ø22 * 52mm
RoHS	Complaint