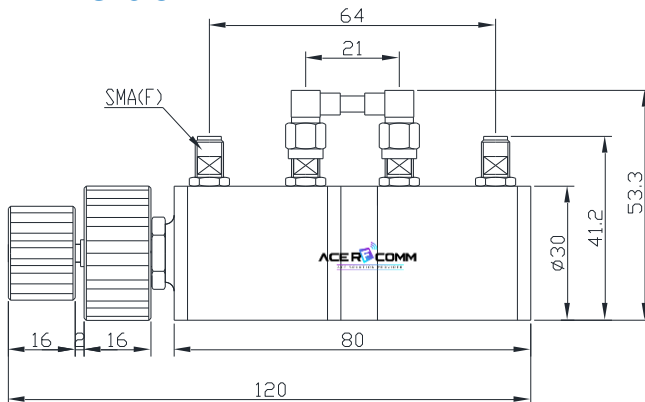


Variable Attenuator, DC~3GHz, SMA 2Watt 70dB, 1dB step

P.N. : A-0370.VS02.1

Dimension



Electrical & Environmental specification

Frequency Range	DC ~ 3GHz
Impedance	50 Ohm
Input Ave Power	2Watt @ 25°C derated linearly to 0 watts @ 125°C
Peak Power	0.1kW (5μs pulse width with 2% duty cycle)
Nominal Attenuation	0~10dB ± 0.5dB
	11~59dB ± 0.8dB
	60~70dB ± 1.5dB
Attenuation Step	1 dB
V.S.W.R.	1.35 : 1 Max
Insertion Loss	1.2dB Max
Operating Temperature	-20°C ~ 85 °C

Material specification

Connector Body	Nickel plating Brass
Housing	Nickel plating Brass, Aluminum
Connector Mating	500 cycles
Weight	435 gram
Dimension	Ø30 * 120mm, without connector
RoHS	Complaint